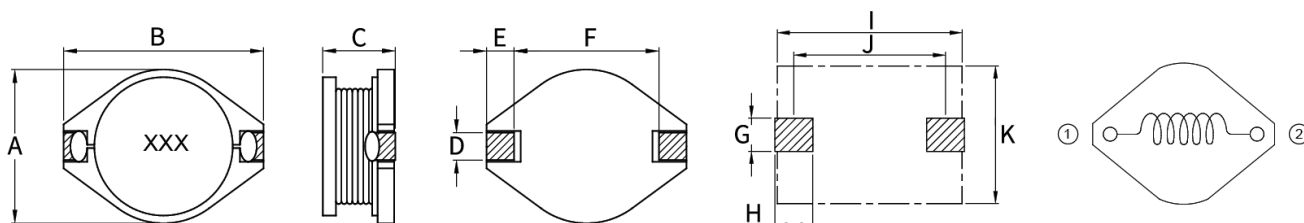


1、产品概要 / Outline

- ◆ 铁氧体非屏蔽结构可绕制较大电感值
- ◆ 高能量储存、高品质因素
- ◆ 电感值范围较大
- ◆ 较大的端面有较强的抗震动能力
- ◆ 主要应用于医疗仪器、升降压转换器，显示器，笔记本电脑，汽车电子，家用电器等



2、外观尺寸/ Appearance size 单位:mm



| A | B | C | D | E | F | G | H | I | J | K |
|---------|---------|---------|-----|-----|-----|-----|-----|-----|-----|-----|
| 4.2±0.3 | 6.6±0.5 | 2.7±0.2 | 1.2 | 1.0 | 4.3 | 2.0 | 1.8 | 7.1 | 5.7 | 4.5 |

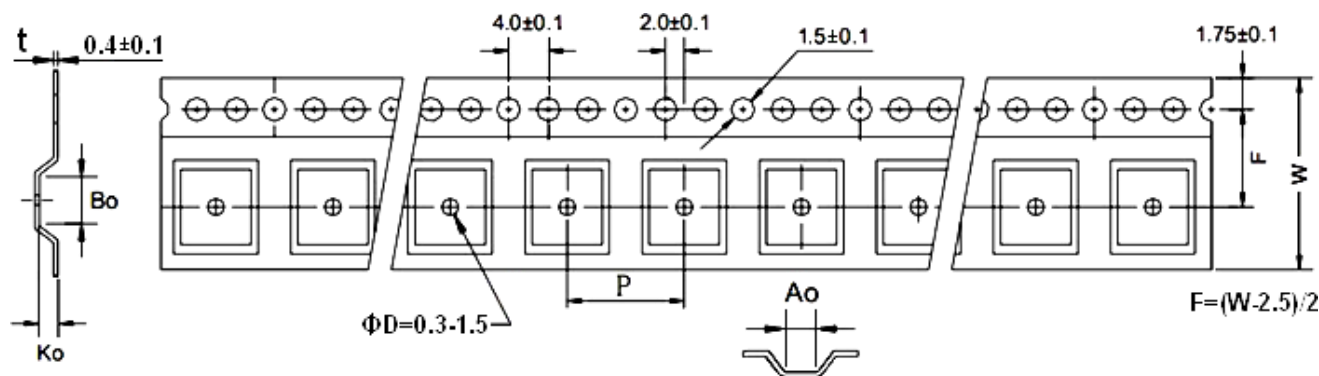
3、电气特性/Electrical characteristics

| 型号/NO | L/uH | DCR (mΩ) | Isat(A) | Irms(A) |
|--------------|---------|------------|---------|---------|
| CDF1680-1R0M | 1±20% | 24.8 | 4 | 3.43 |
| CDF1680-2R0M | 2±20% | 36.7 | 2.7 | 2.82 |
| CDF1680-3R3M | 3.3±20% | 55.2 | 2.1 | 2.3 |
| CDF1680-4R7M | 4.7±20% | 74.3 | 1.8 | 1.98 |
| CDF1680-6R8M | 6.8±20% | 109 | 1.5 | 1.63 |
| CDF1680-8R2M | 8.2±20% | 133 | 1.3 | 1.48 |
| CDF1680-100M | 10±20% | 174 | 1.2 | 1.3 |
| CDF1680-120M | 12±20% | 198 | 1.1 | 1.21 |
| CDF1680-150M | 15±20% | 229 | 1 | 1.13 |
| CDF1680-180M | 18±20% | 264 | 0.9 | 1.05 |
| CDF1680-220M | 22±20% | 305 | 0.8 | 0.98 |
| CDF1680-270M | 27±20% | 390 | 0.72 | 0.87 |
| CDF1680-330M | 33±20% | 533 | 0.65 | 0.74 |
| CDF1680-390M | 39±20% | 582 | 0.6 | 0.71 |
| CDF1680-470M | 47±20% | 672 | 0.55 | 0.66 |
| CDF1680-560M | 56±20% | 828 | 0.5 | 0.59 |
| CDF1680-680M | 68±20% | 996 | 0.45 | 0.54 |
| CDF1680-820M | 82±20% | 1279 | 0.42 | 0.48 |
| CDF1680-101M | 100±20% | 1428 | 0.38 | 0.45 |
| CDF1680-121M | 120±20% | 1608 | 0.32 | 0.43 |
| CDF1680-151M | 150±20% | 2100 | 0.3 | 0.37 |

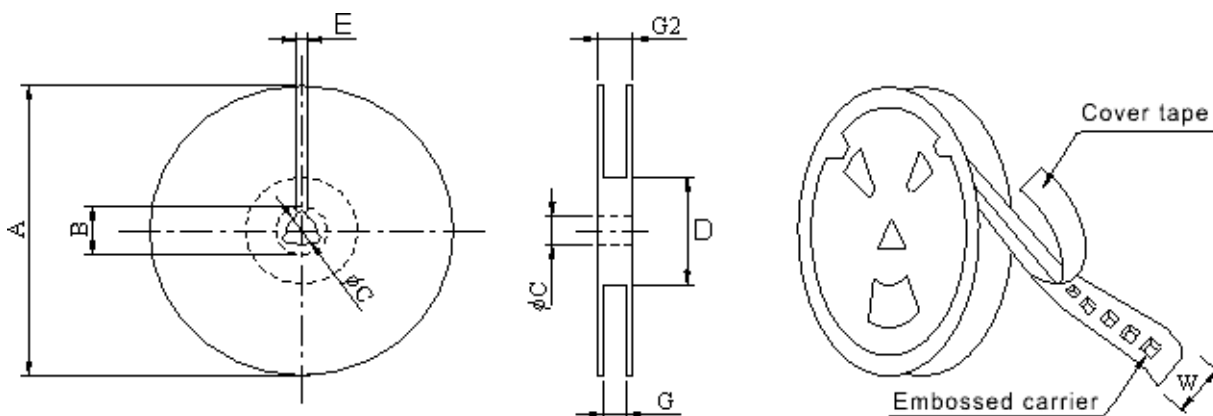
注释

- ◆ K 表示电感值的公差为±10%，M 表示电感值的公差为±20%
- ◆ K said inductance tolerance is ±10%, M said inductance tolerance is ± 20%
- ◆ 所有数据基于环境温度 25°C条件下测试
- ◆ All data is based on testing at an ambient temperature of 25 °C
- ◆ 测试条件：100KHz/0.25V
- ◆ 本页面未能录入全部或最新的数据，请您在订购前向本公司咨询精准参数及样品。
- ◆ We were unable to input all or the latest data on this page. Please consult our company for accurate parameters and samples before placing an order.

4 包装规格/ Packaging specifications 单位/mm



| 型号 | Ao | Bo | Ko | P | W |
|---------|----------|----------|----------|----------|----------|
| CDF1680 | 4.8±0.1 | 7.2±0.1 | 3.15±0.1 | 8.0±0.1 | 16.0±0.3 |
| CDF3316 | 9.6±0.1 | 13.1±0.1 | 5.6±0.1 | 12.0±0.1 | 24.0±0.3 |
| CDF3340 | 9.4±0.1 | 13.0±0.1 | 11.5±0.1 | 16.0±0.1 | 24.0±0.3 |
| CDF5022 | 15.7±0.1 | 19.0±0.1 | 7.2±0.1 | 20.0 | 32.0±0.3 |



| 型号 | Quantity | A | B | C | D | E | G | G2 |
|---------|----------|---------|----------|----------|---------|---------|----------|-----------|
| CDF1680 | 2000pcs | 330±2.0 | 20.5Typ. | 13.0±0.5 | 100Typ. | 2.0±0.5 | 16.5±0.5 | 22.40Max. |
| CDF3316 | 1000pcs | 330±2.0 | 20.5Typ. | 13.0±0.5 | 100Typ. | 2.0±0.5 | 24.5±0.5 | 30.40Max. |
| CDF3340 | 350pcs | 330±2.0 | 20.5Typ. | 13.0±0.5 | 100Typ. | 2.0±0.5 | 24.5±0.5 | 30.40Max. |
| CDF5022 | 400pcs | 330±2.0 | 20.5Typ. | 13.0±0.5 | 100Typ. | 2.0±0.5 | 32.5±0.5 | 38.40Max. |

5、焊接/welding

• 焊接原材料 Soldering Materials

(a) 焊料：推荐使用 96.5Sn/3.0Ag/0.5Cu 焊料，或者采用 Sn 含量不超过 97%的锡合金焊料。

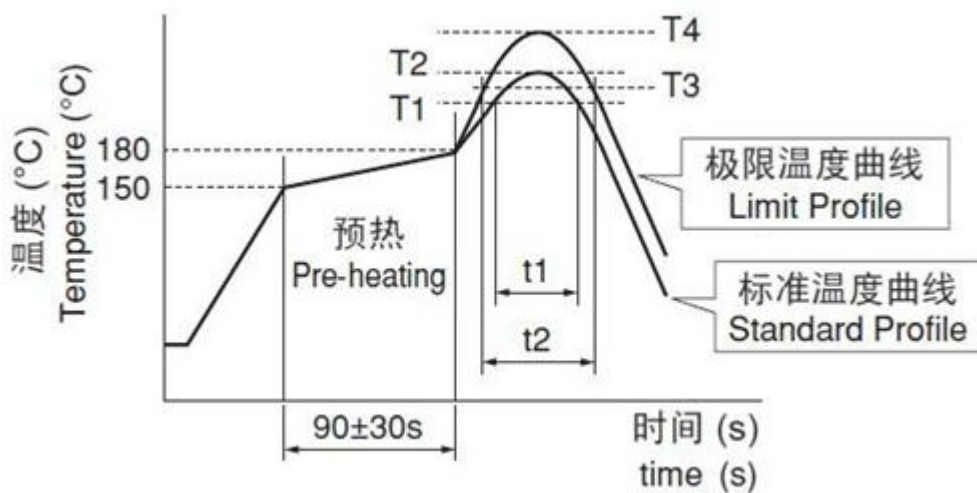
Solder: It is recommended to use 96.5Sn/3.0Ag/0.5Cu solder, or use Tin alloy solder with a Tin content not exceeding 97%.

(b) 助焊剂：推荐使用松香类助焊剂，请勿使用强酸性助焊剂（含氯量超过 0.2wt %），并且请勿使用水溶性助焊剂。

Flux: It is recommended to use rosin-based flux. Acidic flux (with chlorine content exceeding 0.2wt %) and water-soluble flux are forbidden.

• 焊接温度及要求 Soldering Temperature & Requirements

回流焊温度曲线 Reflow Soldering Temperature Profile



回流焊要求 Reflow Soldering Requirements

| 标准温度曲线Standard Profile | | | | 极限温度曲线Limit Profile | | | |
|------------------------|---------------|----------------------------|----------------------------|-----------------------|----------------------|------------------------------|---------------------------------|
| 加热Heating | | 峰值温度 PeakTemp (T2) | 回流焊次 Cycle Of Reflow | 加热Heating | | 峰值温度 Peak Temp. (T4) | 回流焊次 数 Cycle Of Reflow |
| 加热 Temp. (T1) | 时间 Time(t) | | | 温度 Temp. (T3) | 时间 Time (t2) | | |
| 220°C | 30~60s | 245±3°C | ≤2 | 230°C | ≤60s | 260°C/10s | 1 |

6、其他

- ◆ 本产品为无铅，请采用无铅环境作业
- ◆ Other: Our company's products are lead-free, please operate in a lead-free environment
- ◆ 由于页面限制，更多资料请联系我司
- ◆ Due to page limitations, please contact our company for more information
- ◆ 在过载电流等不正常条件下，本电感产品无自我保护功能。
- ◆ Under abnormal conditions such as overload current, this inductor product has no self-protection function.