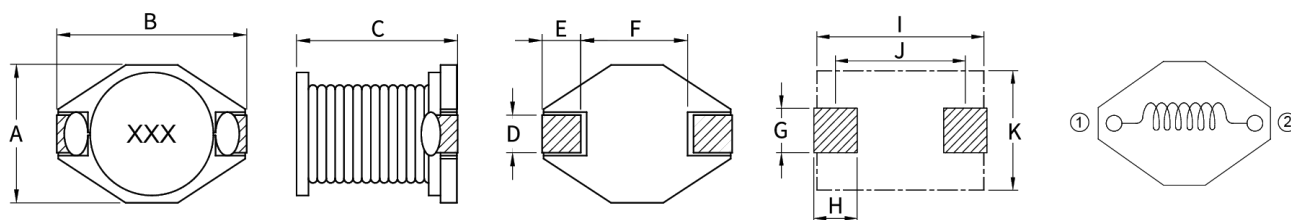


1、产品概要 / Outline

- ◆ 铁氧体非屏蔽结构可绕制较大电感值
- ◆ 高能量储存、高品质因素
- ◆ 电感值范围较大
- ◆ 较大的端面有较强的抗震动能力
- ◆ 主要应用于医疗仪器、升降压转换器，显示器，笔记本电脑，汽车电子，家用电器等



2、外观尺寸/ Appearance size 单位:mm



A	B	C	D	E	F	G	H	I	J	K
9.3±0.3	13.0±0.5	11.0±0.5	2.5	2.5	7.6	3.5	3.5	13.5	10.5	9.6

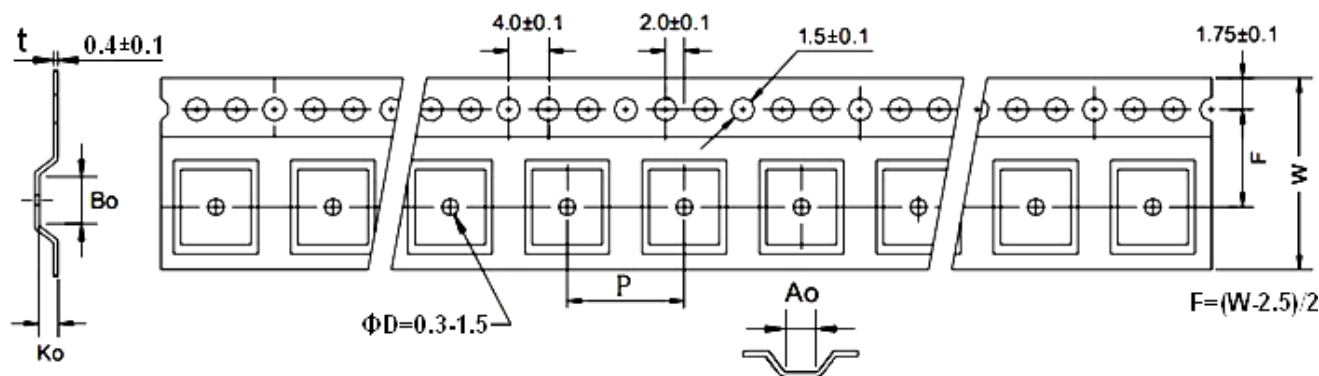
3、电气特性/Electrical characteristics

型号/NO	L/uH	DCR (mΩ)	Isat(A)	Irms(A)
CDF3340-100M	10±20%	25.8	10.5	4.54
CDF3340-120M	12±20%	28	10	4.36
CDF3340-150M	15±20%	36.5	9.5	3.82
CDF3340-180M	18±20%	40.8	9	3.61
CDF3340-220M	22±20%	52.8	8.4	3.17
CDF3340-270M	27±20%	60	7.5	2.98
CDF3340-330M	33±20%	67.2	6.9	2.81
CDF3340-390M	39±20%	74.4	6.3	2.67
CDF3340-470M	47±20%	95	5.9	2.36
CDF3340-560M	56±20%	107	5.35	2.23
CDF3340-680M	68±20%	143	4.85	1.93
CDF3340-820M	82±20%	164	4.35	1.8
CDF3340-101M	100±20%	184	4	1.7
CDF3340-121M	120±20%	250	3.6	1.46
CDF3340-151M	150±20%	287	3.3	1.36
CDF3340-181M	180±20%	368	3	1.2
CDF3340-221M	220±20%	420	2.7	1.12
CDF3340-271M	270±20%	478	2.4	1.05

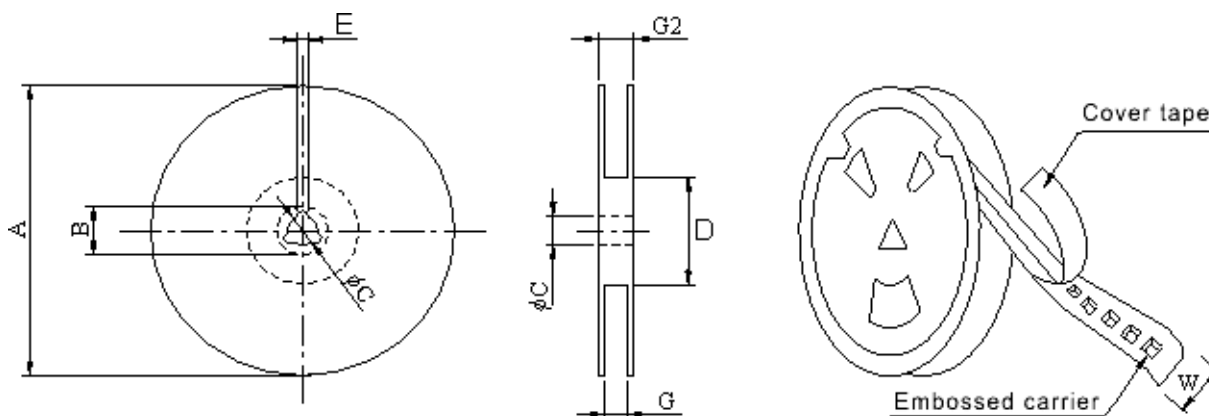
注释

- ◆ K 表示电感值的公差为±10%，M 表示电感值的公差为±20%
- ◆ K said inductance tolerance is ±10%, M said inductance tolerance is ± 20%
- ◆ 所有数据基于环境温度 25°C条件下测试
- ◆ All data is based on testing at an ambient temperature of 25 °C
- ◆ 测试条件：100KHz/0.25V
- ◆ 本页面未能录入全部或最新的数据，请您在订购前向本公司咨询精准参数及样品。
- ◆ We were unable to input all or the latest data on this page. Please consult our company for accurate parameters and samples before placing an order.

4 包装规格/ Packaging specifications 单位/mm



型号	Ao	Bo	Ko	P	W
CDF1680	4.8±0.1	7.2±0.1	3.15±0.1	8.0±0.1	16.0±0.3
CDF3316	9.6±0.1	13.1±0.1	5.6±0.1	12.0±0.1	24.0±0.3
CDF3340	9.4±0.1	13.0±0.1	11.5±0.1	16.0±0.1	24.0±0.3
CDF5022	15.7±0.1	19.0±0.1	7.2±0.1	20.0	32.0±0.3



型号	Quantity	A	B	C	D	E	G	G2
CDF1680	2000pcs	330±2.0	20.5Typ.	13.0±0.5	100Typ.	2.0±0.5	16.5±0.5	22.40Max.
CDF3316	1000pcs	330±2.0	20.5Typ.	13.0±0.5	100Typ.	2.0±0.5	24.5±0.5	30.40Max.
CDF3340	350pcs	330±2.0	20.5Typ.	13.0±0.5	100Typ.	2.0±0.5	24.5±0.5	30.40Max.
CDF5022	400pcs	330±2.0	20.5Typ.	13.0±0.5	100Typ.	2.0±0.5	32.5±0.5	38.40Max.

5、焊接/welding

• 焊接原材料 Soldering Materials

(a) 焊料：推荐使用 96.5Sn/3.0Ag/0.5Cu 焊料，或者采用 Sn 含量不超过 97%的锡合金焊料。

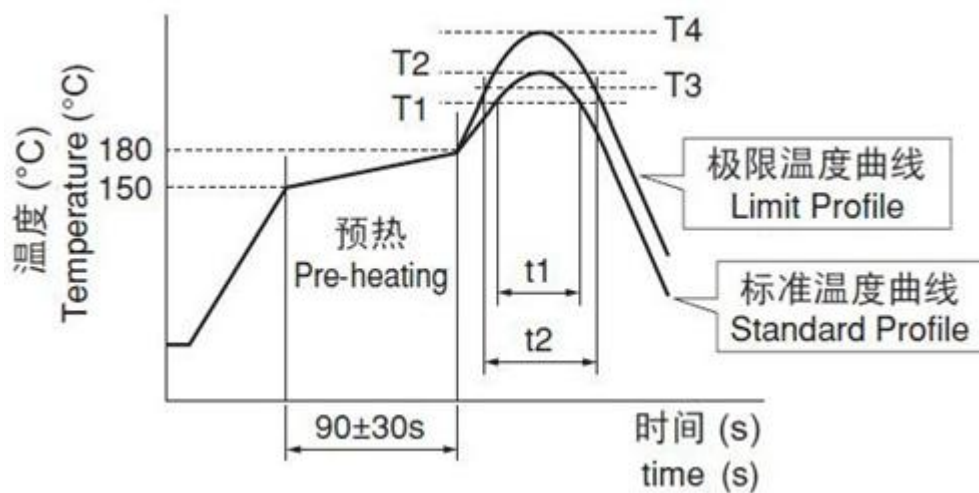
Solder: It is recommended to use 96.5Sn/3.0Ag/0.5Cu solder, or use Tin alloy solder with a Tin content not exceeding 97%.

(b) 助焊剂：推荐使用松香类助焊剂，请勿使用强酸性助焊剂（含氯量超过 0.2wt %），并且请勿使用水溶性助焊剂。

Flux: It is recommended to use rosin-based flux. Acidic flux (with chlorine content exceeding 0.2wt %) and water-soluble flux are forbidden.

• 焊接温度及要求 Soldering Temperature & Requirements

回流焊温度曲线 Reflow Soldering Temperature Profile



回流焊要求 Reflow Soldering Requirements

标准温度曲线Standard Profile				极限温度曲线Limit Profile			
加热Heating		峰值温度 PeakTemp (T2)	回流焊次 Cycle Of Reflow	加热Heating		峰值温度 Peak Temp. (T4)	回流焊次 数 Cycle Of Reflow
加热 Temp. (T1)	时间 Time(t)			温度 Temp. (T3)	时间 Time (t2)		
220°C	30~60s	245±3°C	≤2	230°C	≤60s	260°C/10s	1

6、其他

- ◆ 本产品为无铅，请采用无铅环境作业
- ◆ Other: Our company's products are lead-free, please operate in a lead-free environment
- ◆ 由于页面限制，更多资料请联系我司
- ◆ Due to page limitations, please contact our company for more information
- ◆ 在过载电流等不正常条件下，本电感产品无自我保护功能。
- ◆ Under abnormal conditions such as overload current, this inductor product has no self-protection function.