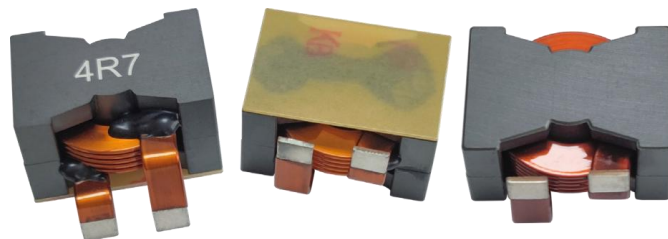
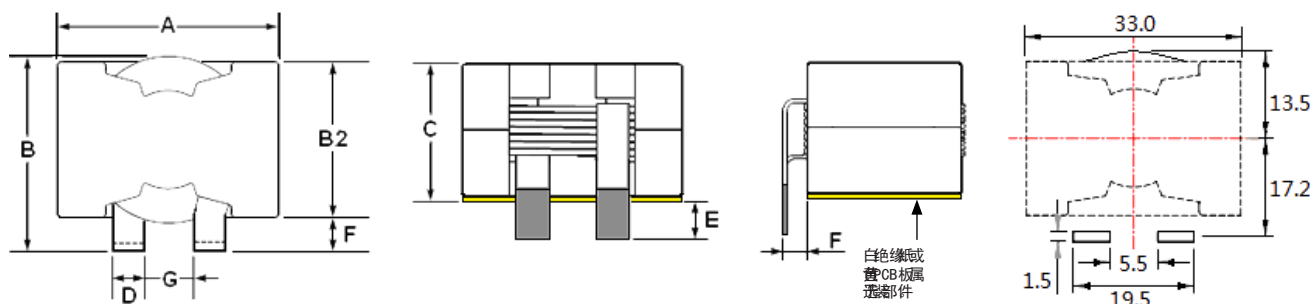


## 1、产品概要 / Outline

- ◆ 组合设计，坚固的结构
- ◆ 较大电感值，超级大电流
- ◆ 扁平线绕组，实现低直流电阻
- ◆ 温度上升电流和饱和电流受环境的影响较小
- ◆ 工作温度: -25°C ~ 125°C .
- ◆ 放置形式为 DIP
- ◆ 主要应用于大电流的工作环境，如充电桩、工业控制等



## 2、外观尺寸/ Appearance size 单位:mm



| A        | B        | C       | D       | E       | F        | G       |
|----------|----------|---------|---------|---------|----------|---------|
| 33.5 Max | 30.8±1.0 | 20.5Max | 6.0±0.3 | 3.5±1.0 | 6.7 Ref. | 6.0±0.5 |

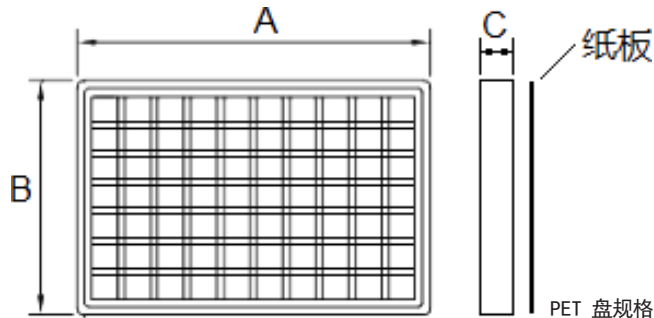
## 3、电气特性/Electrical characteristics

| 型号           | L(OA) | DCR(mΩ)Max | I <sub>rms</sub> (Typ) | I <sub>sat</sub> (Typ) |
|--------------|-------|------------|------------------------|------------------------|
| DER3220-1R5M | 1.5   | 0.6        | 80                     | 130                    |

### 注释

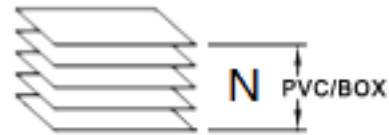
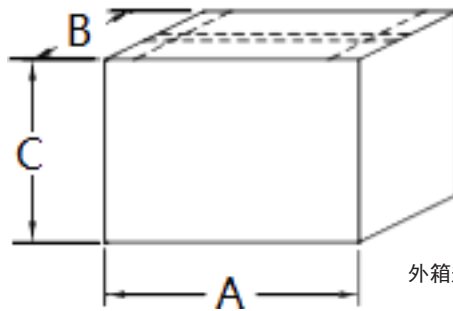
- ◆ K 表示电感值的公差为±10%，M 表示电感值的公差为±20%
- ◆ K said inductance tolerance is ±10%, M said inductance tolerance is ± 20%
- ◆ 所有数据基于环境温度 25°C条件下测试
- ◆ All data is based on testing at an ambient temperature of 25 °C
- ◆ 测试条件：100KHz/1.0V
- ◆ 本页面未能录入全部或最新的数据，请您在订购前向本公司咨询精准参数及样品。
- ◆ We were unable to input all or the latest data on this page. Please consult our company for accurate parameters and samples before placing an order.

## 4 包装规格/ Packaging specifications 单位/mm



| A(Ref.) | B(Ref.) | C(Ref.) |
|---------|---------|---------|
| 322     | 202     | 28      |

PET 盘规格: 322\*202\*28mm, 每盘装 28 个。



外箱规格: 340\*215\*220mm, 7PET 盘装一箱, 一箱装 196 个。

| QTY (Pcs/Box) | A(Ref.) | B(Ref.) | C(Ref.) |
|---------------|---------|---------|---------|
| 196 Ref.      | 340     | 215     | 220     |

## 5、焊接/welding

### • 焊接原材料 Soldering Materials

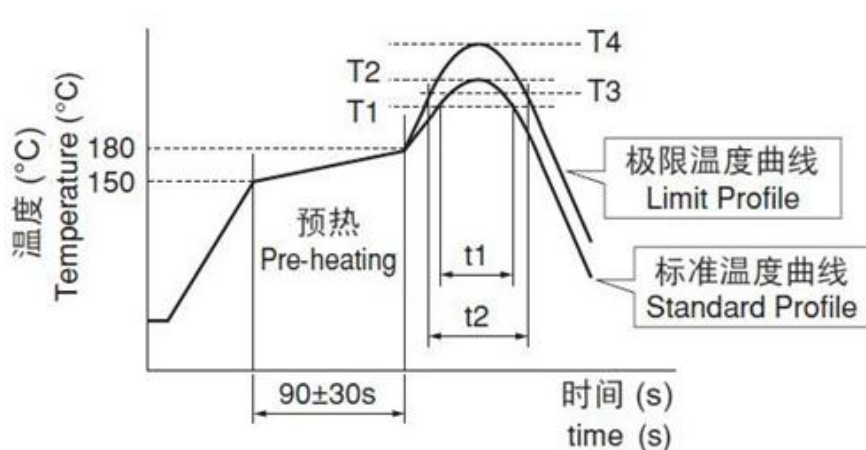
(a) 焊料 : 推荐使用 96.5Sn/3.0Ag/0.5Cu 焊料 , 或者采用 Sn 含量不超过 97% 的锡合金焊料。 Solder: It is recommended to use 96.5Sn/3.0Ag/0.5Cu solder, or use Tin alloy solder with a Tin content not exceeding 97%.

(b) 助焊剂 : 推荐使用松香类助焊剂, 请勿使用强酸性助焊剂 ( 含氯量超过 0.2wt % ) , 并且请勿使用水溶性助焊剂。

Flux: It is recommended to use rosin-based flux. Acidic flux (with chlorine content exceeding 0.2wt %) and water-soluble flux are forbidden.

### • 焊接温度及要求 Soldering Temperature & Requirements

回流焊温度曲线 Reflow Soldering Temperature Profile



回流焊要求 Reflow Soldering Requirements

| 标准温度曲线 Standard Profile |                      |                              |                                | 极限温度曲线 Limit Profile  |                      |                              |                             |
|-------------------------|----------------------|------------------------------|--------------------------------|-----------------------|----------------------|------------------------------|-----------------------------|
| 加热 Heating              |                      | 峰值温度<br>Peak Temp.<br>( T2 ) | 回流焊<br>次 Cycle<br>Of<br>Reflow | 加热 Heating            |                      | 峰值温度<br>Peak Temp.<br>( T4 ) | 回流焊次数<br>Cycle Of<br>Reflow |
| 加热<br>Temp.<br>( T1 )   | 时间<br>Time<br>( t1 ) |                              |                                | 温度<br>Temp.<br>( T3 ) | 时间<br>Time<br>( t2 ) |                              |                             |
| 220°C                   | 30~60s               | 245±3°C                      | ≤2                             | 230°C                 | ≤60s                 | 260°C/10s                    | 1                           |

## 6、其他

- ◆ 本产品为无铅, 请采用无铅环境作业
- ◆ Other: Our company's products are lead-free, please operate in a lead-free environment
- ◆ 由于页面限制, 更多资料请联系我司
- ◆ Due to page limitations, please contact our company for more information
- ◆ 在过载电流等不正常条件下, 本电感产品无自我保护功能。
- ◆ Under abnormal conditions such as overload current, this inductor product has no self-protection function.
- ◆ 产品储存期不建议超过 12 个月
- ◆ The storage period of the product is not recommended to exceed 12 months